

TOASTESS®

CINEMA POPPER



Instruction Booklet

Model: TCP720



IMPORTANT SAFEGUARDS

When using electrical appliances, basic safety precautions should always be followed including the following:

1. Read all instructions.
2. Do not touch hot surfaces. The Cover will be very hot during and after use. Always use oven mitts or pot holders when handling hot appliances.
3. To protect against electrical hazards, do not immerse cord, plugs, or the appliance in water or other liquid.
4. Close supervision is necessary when any appliance is used by or near children. Young children should be supervised to ensure they do not play with the appliance.
5. This appliance is not intended for use by persons (including children) with reduced physical, sensory or mental capabilities, or lack of experience and knowledge, unless they have been given supervision or instruction concerning the use of the appliance by a person responsible for their safety.
6. Unplug from outlet when not in use and before cleaning. Allow to cool before putting on or taking off parts, and before cleaning the appliance.
7. Do not operate any appliance with a damaged cord or plug or after the appliance malfunctions, or has been damaged in any manner. Return appliance to Toastess for examination, repair or adjustment. See Warranty section. Do not disassemble or attempt to repair the appliance by yourself to avoid hazards.
8. The use of accessories or attachments not recommended by Toastess may cause hazards.
9. Do not use outdoors.
10. Do not let cord hang over edge of table or counter, or touch hot surfaces.
11. Do not place on or near a hot gas or electric burner, or in a heated oven.
12. Extreme caution must be used when moving an appliance containing hot liquids.
13. Prior to connecting or disconnecting plug from wall outlet, turn any control to "off".
14. This appliance is for Household Use Only. Do not use appliance for other than its intended use.
15. Do not leave unit unattended while in use.
16. Place Cover on Corn Popper then add kernels before plugging in.
17. Never touch, move or disassemble the appliance while in operation or when hot.
18. To avoid overheating, do not operate more than 5 minutes per popping cycle. It is recommended to allow 10 minutes between each popping cycle to allow unit to cool.
19. Extreme caution must be taken when removing popcorn.



20. Do not operate the appliance in a confined area, near heat sources or water. Always operate the appliance in a well ventilated area. Avoid the appliance coming in contact with flammable materials while operating including clothes, curtains, etc.
21. Do not use more than 1 measuring cup noted in the Description of Parts, of kernels, (40 - 60 grams or 1.4 - 2.1 ozs) in the popping chamber.
22. Do not use butter, oil, water, seasoning or any other substances other than kernels in the popping chamber.

SAVE THESE INSTRUCTIONS

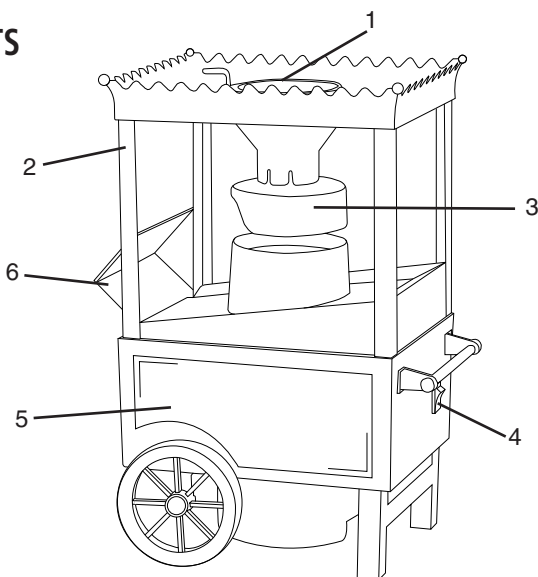
HOUSEHOLD USE ONLY

POLARIZED PLUG

This appliance has a polarized plug (one blade is wider than the other). To reduce the risk of electric shock, this plug will fit in a polarized outlet only one way. If the plug does not fit fully in the outlet, reverse the plug. If it still does not fit, contact a qualified electrician. Do not modify the plug in any way.

DESCRIPTION OF PARTS

1. Measuring Cup
2. Cover
3. Popping Chamber
4. ON/OFF Switch
5. Base
6. Chute



BEFORE FIRST USE

1. Remove all packaging.
2. Wash the Cover and Measuring Cup with a soft cloth in warm soapy water. Dry thoroughly with a soft cloth.
3. Wipe outside of base with a damp cloth and dry.



HOW TO USE

1. Place the appliance on a flat, heat resistant surface.
2. Fill the Measuring Cup with kernels then pour into the Base through the top hole in the Cover. **IMPORTANT:** Never under-fill or over-fill the Measuring Cup. Under-filling the Cup can cause fewer kernels to pop and more kernels to come out from the chute during popping. Over-filling can cause the kernels to burn and smoke.

IMPORTANT:

- **DO NOT ADD OIL OR BUTTER TO THE POPPING CHAMBER.**
- **NEVER POP KERNELS WITHOUT COVER.**

3. The Measuring Cup can be used as a butter melting cup if buttered popcorn is desired. Place up to 2 tablespoons (30 ml) of butter or margarine into the Measuring Cup then place back in position on top of the Cover. The butter will melt when the popcorn is popping.
4. Place a large (3 L/Q) heat resistant bowl under the popping chute.
5. Plug unit into a 120 volt AC outlet. Press the On/Off Switch to ON.
6. Popping will take only a few minutes.
7. When kernels have fully popped, press the ON/OFF Switch to the OFF position then unplug the unit.
8. If butter or margarine was added to the Measuring Cup, use oven mitts or pot-holders and remove the Measuring Cup by the handle. Any remaining popcorn in the popping chamber can be removed by tilting the appliance forward. Pour butter or margarine over the popcorn in the bowl.
NOTE: The Cover will be hot.
9. Before popping an additional batch allow the unit to cool for 10 minutes. If there is any unpopped corn remaining in the appliance, remove it from the base before starting a new batch.
10. If the Measuring Cup was used to melt butter or margarine, wash before using to measure kernels.
11. **IMPORTANT:** If the unit overheats, it will stop automatically and restart after it has cooled down. Therefore, do not leave the machine plugged in if it has stopped automatically.





HELPFUL HINTS

1. The appliance is designed for all regular and premium brands of popcorn. Yellow popcorn generally pops larger than white kernel. Organic kernels are not recommended for this appliance.
2. To help retain the moisture content of the kernels, always store in an airtight container at room temperature or in the refrigerator.
3. Kernels that are old or dried out will not pop properly. You can freshen kernels by putting them into an air tight container. Add 1 tsp. (5ml) of water for each cup of kernels. Place the container in the refrigerator and shake twice a day for 3 days. After 3 days, they are ready to use.
4. The Cover and Measuring Cup become hot during use and should only be handled using oven mitts or pot holders.
5. The popped corn is hot and care should be taken to ensure that children are kept clear of the popping chute.
6. Do not run the machine longer than 4 – 5 minutes for each use.
7. Never add any ingredients except kernels to the popping chamber.

CARE AND CLEANING

1. Allow Corn Popper to cool.
2. Remove the Cover and invert the Corn Popper Base to remove any unpopped corn from the Popping Chamber.
3. Wash the Measuring Cup and Cover in warm soapy water. Do not place in the dishwasher.
4. Wipe the outside of the Base with a damp cloth. Do not use abrasives.
IMPORTANT: DO NOT IMMERSE THE BASE IN WATER OR ANY OTHER LIQUID.
5. Ensure that all parts are completely dry before reassembling.
6. Store in a cool dry place.





A short supply cord is provided to reduce the hazards of becoming entangled in or tripping over a long cord. Extension cords may be used if care is exercised in their use. If an extension cord is used, the marked electrical rating of the detachable power-supply cord or extension cord should be at least as great as the electrical rating of the appliance. If the appliance is of the grounded type, the extension cord should be of a grounded 3-wire cord. The extension cord should be arranged so that it will not drape over the counter top or table top, where it can be pulled on by children or tripped over.

LIMITED WARRANTY

Toastess International warrants that this appliance shall be free from defects in material and workmanship for a period of one year from the date of purchase. During this 'in-warranty' period, defective products will be repaired or replaced at the discretion of the retailer and/or Toastess International. This warranty covers normal domestic usage and does not cover damage which occurs in shipment or failure which results from alteration, accident, misuse, abuse, glass breakage, neglect, commercial use or improper maintenance.

A defective product should be returned to the original place of purchase within the retailer's stipulated return/exchange period*. If you are unable to have a defective product replaced under warranty by the retailer, please check our website at "www.toastess.com" for the service centre nearest you or you may contact us for assistance by mail, e-mail, fax or telephone as listed below.

To ensure prompt 'in-warranty' service, securely package and return the product to us prepaid. Be sure to include the original proof of purchase and a description of the defect along with your address and zip/postal code.

For repairs not covered by the warranty, please contact us for assistance.

TOASTESS®

TOASTESS INTERNATIONAL

Customer Service Department
81A Brunswick
Dollard-des-Ormeaux
Québec, Canada H9B 2J5

E-mail: info@toastess.com
Fax: 514-685-8300
Tel: 514-685-2820 (Ext. 226)

* Return/exchange policies at each retailer vary and may differ from the Toastess International
1 year limited warranty period.

